
Wall Fan Instructions



Save these instructions
for safe operation.



www.ecoplususa.com

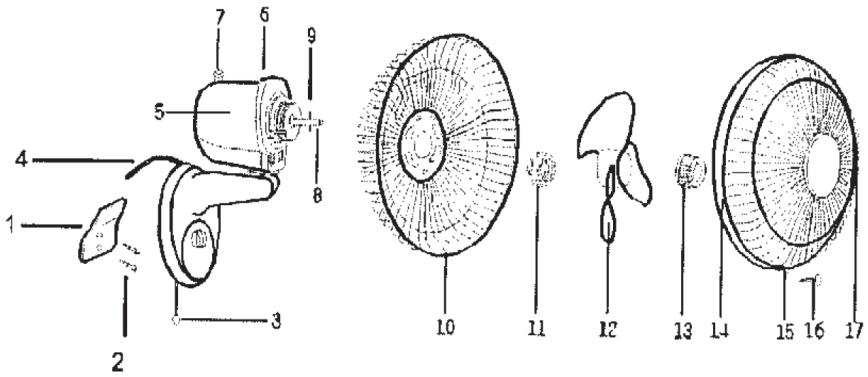
Follow these safety precautions carefully.

1. Use fan only as directed in these instructions. Failure to do so may cause fire electrical shock or injury.
2. Intended for household use, not commercial or industrial.
3. DO NOT immerse unit , plug or cord in water or spray with liquids.
4. DO NOT leave children unsupervised around any appliance.
5. Unplug fan from outlet when not in use, when moving fan or before cleaning.
6. Avoid contact with moving parts.
7. DO NOT operate in the presence of explosive and/or flammable fumes.
8. DO NOT place fan or any parts near an open flame, cooking or other heating appliance.
9. DO NOT operate fan with a damaged cord, plug, after the fan malfunctions or after the fan has been dropped/damaged in any manner.
10. DO NOT use outdoors.
11. DO NOT let cord hang over the edge of a table/ counter or let it touch hot surfaces.
12. To disconnect, grip plug and pull from wall outlet. NEVER YANK ON CORD.
13. Always use on a dry level surface.
14. DO NOT hang or mount fan on ceiling.
15. DO NOT operate without fan grills properly in place.
16. To reduce risk of shock, the polarized plug is intended to fit in a polarized outlet only one way. (One blade is wider than the other). If the plug does not fit in the outlet, reverse the plug. If it still does not fit, contact a qualified electrician. DO NOT defeat the purpose of this safety feature.

Save these important safety instructions.

WARNING: To reduce the risk of fire, electrical shock and/or injury to persons-DO NOT use in a window.

WARNING: DO NOT use this fan with any solid state speed control device.



- | | | |
|--------------------|-----------------------|---------------------|
| 1 Hanging bracket | 2 Bracket screws (2) | 3 Pull chain switch |
| 4 Power cord | 5 Rear motor cover | 6 Motor housing |
| 7 Oscillation knob | 8 Motor shaft spindle | 9 Shaft pin |
| 10 Rear grill | 11 Grill lock nut | 12 Fan blade |
| 13 Blade cap | 14 Grill ring | 15 Grill ring clip |
| 16 Clip screw | 17 Front grill | |

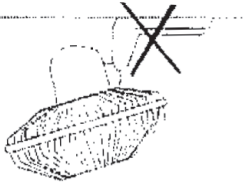
FAN SETUP

1. Determine the desired location of fan. Mount fan at least 5 FEET above the floor.
2. Mark the 2 screw holes with a pencil by holding the Hanging bracket to the wall.
3. Drill starter holes at the 2 pencil marks.
4. Insert anchors (not included) into each hole and lightly tap them flush to the wall with a hammer.
5. Secure the Hanging bracket with the two (2) provided screws.
6. Hang the fan onto the wall by inserting the built-in female bracket on the fan base into the Hanging bracket.

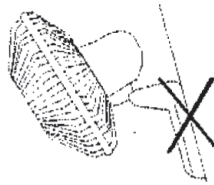
FAN OPERATION

1. Plug the power cord into a standard 120volt AC wall outlet.
2. To turn the fan on, gently pull on the chain to select your desired speed. One pull turns the fan on Low, two pulls for Medium and three pulls for High. The fourth pull will turn the fan Off.
3. **TILTING:** Always switch off the fan before making any adjustments. Holding the rear motor cover, tilt the fan head either up or down.
4. **OSCILLATION:** Press the knob down to make the fan oscillate or pull the knob up to stop.

Fan must be mounted on a vertical wall.



**Do not mount
on a ceiling.**

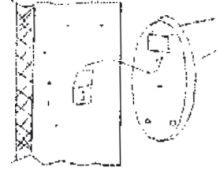


**Do not mount
on an incline.**



**Do not mount
on an angle.**

- Place the fan base flush to the hanging bracket.
- Make sure the power cord does not get pinched.



CARE & STORAGE

1. BE SURE THE PLUG IS REMOVED FROM OUTLET before attempting any cleaning or maintenance.
2. Use only a soft, moist cloth with a soap solution.
3. DO NOT immerse the fan in water, and never allow water to drip into the motor housing.
4. DO NOT use a gasoline thinner or other chemicals to clean fan.
5. To dismantle for cleaning or long-term storage: Follow assembly instructions in reverse order. The fan blade may be washed in warm water using a little mild detergent. Alternatively it may be wiped clean with a soft damp cloth. Be sure it is completely dry before re-fitting.
6. The front and rear guards can be cleaned with a soft brush or soft damp cloth.
7. The motor housing and pedestal can be wiped clean with a soft damp cloth.
8. For storage, clean fan carefully as instructed and store in it's original box. Store fan in a clean, dry place.



www.ecoplususa.com